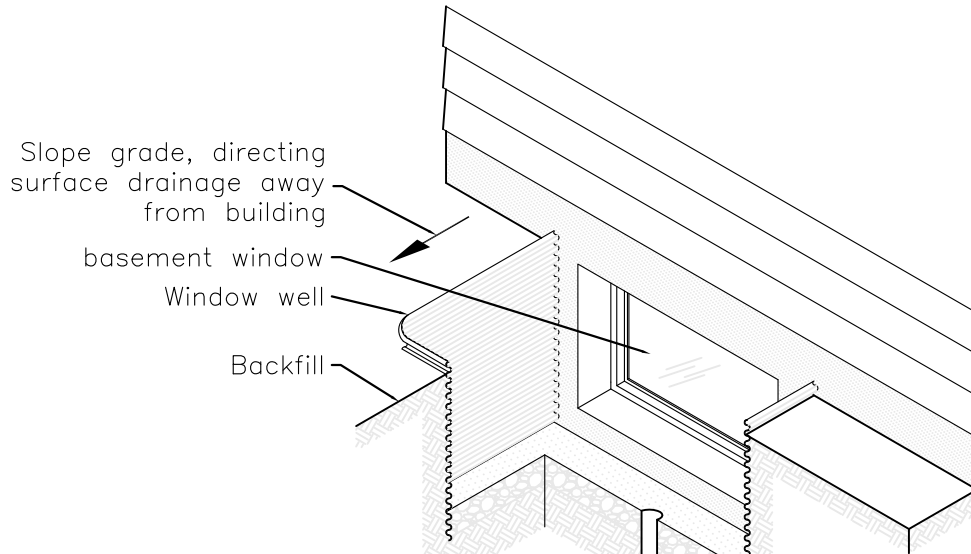
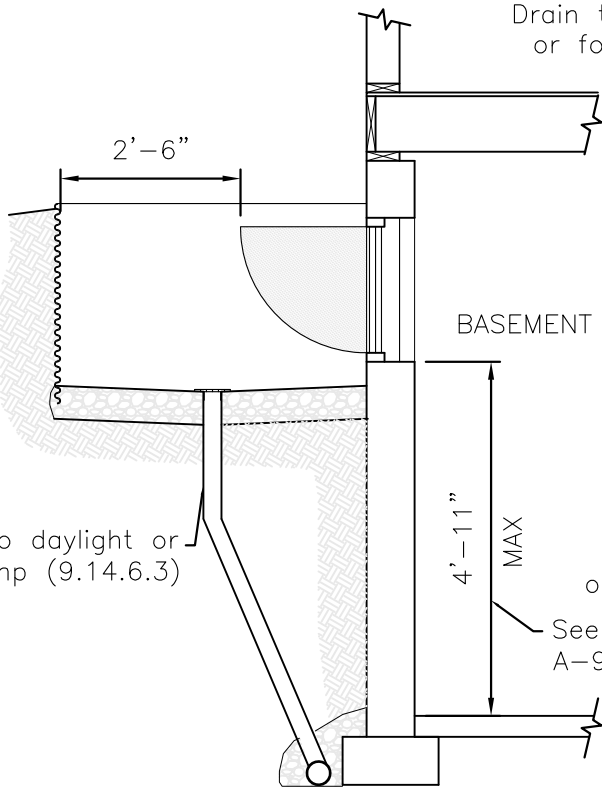




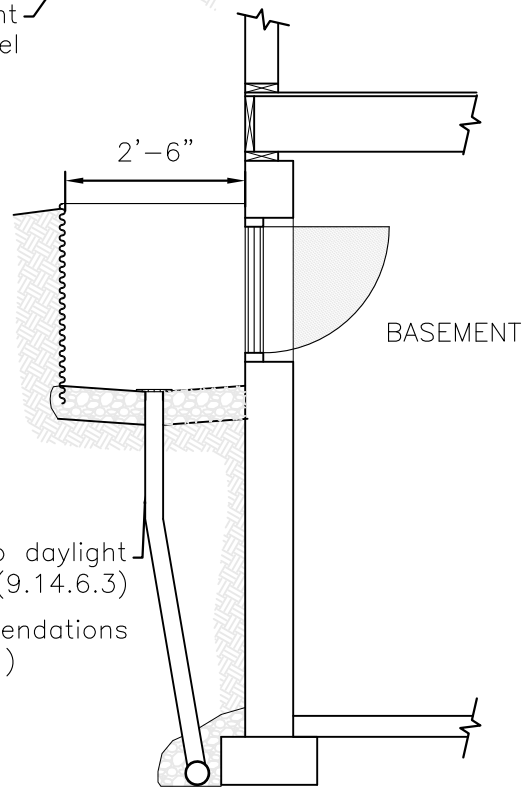
# WINDOW WELL : SERVING A SINGLE DWELLING UNIT



(9.14.6.3)  
Window well drainage.  
Drain to daylight  
or footing level



**EGRESS FROM BEDROOM WINDOWS  
IN BASEMENT**



**NOT FOR EGRESS**

*9.9.10.1.(1 – 5) Windows opening into a window well*

A clearance of at least 760mm (2'-6") must be provided in front of windows opening into a window well. For escape in emergencies, the sash of windows that swing towards the window well must not reduce the clearance.

Recommended sill height must be no more than 1.5m (4'-11") above the floor for egress from bedroom windows.

Bedroom windows shall provide an unobstructed opening of not less than 0.35m<sup>2</sup>(3.35ft<sup>2</sup>) and no dimension less than 380mm (15")